

PRODUCT AND REFERENCE CATALOG

Aluminium Wintergarten Systems

WINTER GARDEN SYSTEMS



CS YAPI WG
WINTERGARTEN SYSTEMS

ABOUT US

SYSTEMS

- WINTER GARDEN SYSTEM
- SLIDING WINDOW SYSTEM
- FOLDING DOOR SYSTEM
- DOOR AND WINDOW SYSTEMS
- LIGHTING SYSTEMS

REFERENCES

CONTACT



About Us CS YAPI WG

Our company, which has been operating in aluminum curtain wall industry since 1998, is a successful enterprise that works with modern contemporary technological equipment, quality trust and fast service concept. Our company has been providing comfortable modern and high quality service to its customers with its technical experience and knowledge gained over the years in winter garden systems in recent years.

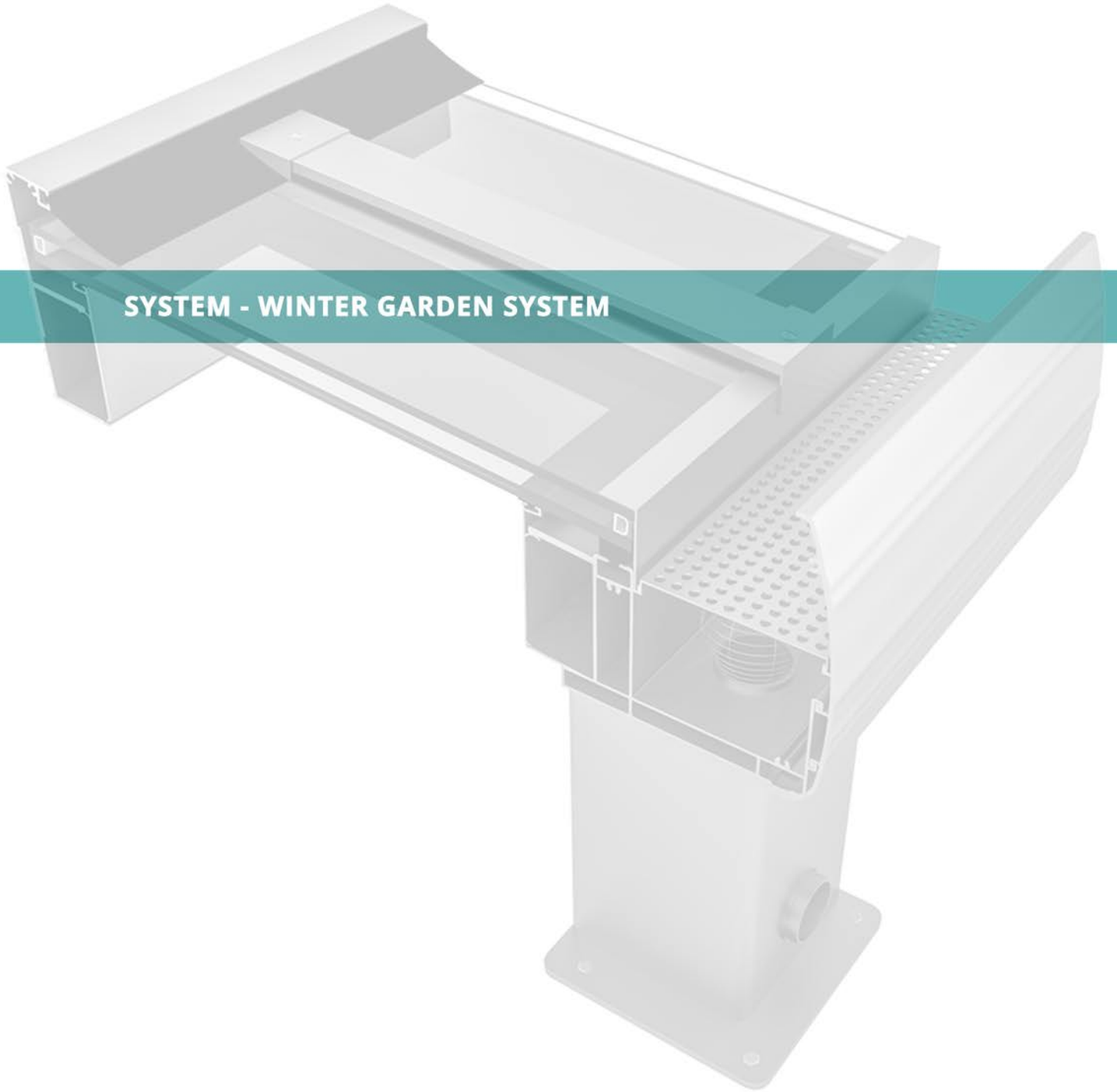
Today, the companies that make the difference are defined as organizations that increase the brand value with the contributions to the environment, society and social life, not only with the financial results, but also with the organizations that can share their achievements and successful business results with all employees and customers.

Customer satisfaction is the response of the customer to the difference between the expectations of the customer before the purchase and the performance after the purchase. Good businesses, " the customer is always right, " tries to apply the principle, to keep the customer and loyal customers to gain customer satisfaction firstly knows that everyone should know.

Our company, in the concept of continuous change, without sacrificing quality using the latest technological tools and human resources in the most effective way, quality materials and quality workmanship guarantee, more durable, practical and aesthetic solutions to offer projects, without sacrificing quality, ecological products suitable for the environment and human health by providing services with the solution partners working with this purpose, offers the most affordable price at the most convenient time.

As an innovative and modern company, we believe that as an innovative and modern company, we will develop this feature of exhibitions more quickly and easily. For this reason, we are constantly following the changes and innovations related to the sector by participating in domestic and foreign fairs related to the sector. .

Our target; To be a company that is preferred in customer service, is trusted in quality, is a pioneer in competition and achieves firsts. Our main objective as a company; more durable, high quality, practical and aesthetic living areas to offer the structures of our customers.



SYSTEM - WINTER GARDEN SYSTEM

WINTER GARDEN SYSTEM

The CS YAPI offers conservatory systems that allow you to spend a pleasant time in your own living room all year round.

You dream of your own winter garden? Would you like to enjoy the time in your extended living space both in winter and in summer? Then you are right with us! We offer a variety of application and design options, and build your own dream conservatory.

We are happy to advise you and look forward to responding to your personal ideas.

We accompany you from the beginning to the moment you see your finished product.

Take a look at our products and get an idea!

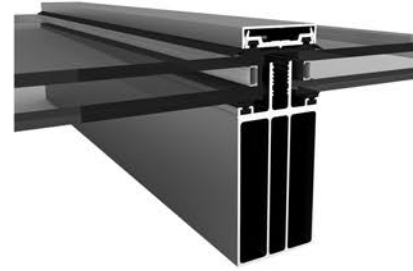


System features

High static profiles, various design and color options, high hardware options;

The conservatory system CS YAPI WG blends seamlessly into the existing architecture of your house. With its high-strength profiles, it upgrades your garden to the desired dimensions. You can lock your conservatory with your desired windows and systems. The CS YAPI conservatory system, which fits into all window and door systems, offers you all the options you could wish for.

CS YAPI conservatory system; It meets all your requirements with system profiles with different designs, integrated hidden rainwater outlet, LED lighting system and shading systems.



Profiles



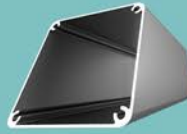
Water Drain



Wall Profile



Top Carrier



Carrier Foot



Inner Cover



Top cover



Top Side Cover

Advantages

- Works in harmony with your home and garden.
- It offers a living space for all seasons.
- Beautifies your garden with its modern and unique profile system.
- It offers easy installation with differently designed profiles in the system.
- It offers easy installation in wide openings with high-strength profiles.
- All connection points have a minimum profile thickness of 4 mm.
- It has safety insulating glass up to 30 mm glass thickness.
- The system has integrated LED lighting.
- The system has an integrated concealed drainage and foliage holder system.



Quality

- Aluminum profiles that provide high strength
- Maximum air and heat insulation
- Various design options
- Heat-insulated windows and door systems made of aluminum
- Integrated LED lighting system
- CE certificates for the entire system



Maximum air and heat protection

In winter you can have pleasant conversation in cold weather and enjoy a warm and comfortable environment with your family and friends. You can design your own garden in different designs and options. You can have the perfect living space at different seasons throughout the year.

Enjoy pleasant and high-quality seasons

With the winter garden system CS YAPI WG you can sit warm and calm in your garden even in cold weather.

With its safety glazing system resistant to rain, sun, heat and shock, it provides maximum air and heat protection on your roof. The system achieves maximum insulation with the heat-insulated aluminum windows and doors included in the system.



Accessories

- HBSB Sliding Window System
- Door And Window System
- Aluminum Decorative Covers
- Folding Door System
- LED Lighting System
- Leaf Holder





SYSTEM - SLIDING WINDOW SYSTEM

HBSB Sliding Window System

The heat-insulated aluminum Hebeschiebe Sliding System, which you can use in any part of your winter garden, allows you to create a spacious living space with wide openings. It adds unique beauty to your garden with maximum comfort and maximum compatibility.



Advantages

- The Hebeschiebe sliding system allows easy movement of the wide door elements.
- Hebeschiebe doesn't matter whether your door is open or closed. In any case, the light flows into the room and virtually eliminates the separation between the interior and exterior thanks to the unobstructed ground connection.
- It provides excellent thermal insulation according to normal driving systems.
- It helps you to create a spacious, unobstructed living space in your garden, balcony and terrace passages where you need wide openings.
- The Hebeschiebe sliding system offers multi-point locking as security.
- It adds unique beauty to your garden with maximum comfort and

Features

- Different wing profile alternatives are available for heavy and light wing designs.
- The profile system door leaf can be made up to a height of 3.5 m.
- Wing bearing capacity max. 400 kg.
- Glass Thickness (min-max): 4-36 mm
- The system provides a high level of comfort with its elegant fly screen design.
- Superior protection against dust, water and heat loss with invisible sealing gaskets.



SYSTEM - FOLDING DOOR SYSTEM

Foldind Door System

With the heat-insulated aluminum folding door system, you can make the living area of your winter garden more elegant, comfortable and aesthetic. You can use a wing in the system as a single door or create a spacious living space that can open all wings. It provides comfortable use with its aesthetic design and accessory systems.



Advantages

- It provides application possibilities up to a height of approximately 3.20 meters and a width of about 1.30 meters.
- It can be adapted to all types of floor with four different threshold detail solutions.
- The carrying capacity of the folding door system is 150 kg.
- The folding door system has been developed with the aim of providing minimum area loss in the application area.
- The system, which can be applied in two different options, from inside or outside, also has the ability to be applied in line with the floor (zero threshold).
- It provides high heat and energy saving with full insulated heat barrier system.

Features

- With the option to use up to 8 veins, it is possible to apply widths greater than 9 meters.
- The wing system allows application up to a height of 3.2 m and a width of 1.3 m.
- The capacity of the wing is max. 150 kg.
- Glass Thickness (min-max): 17-56 mm
- The system provides a high level of comfort with its elegant fly screen design.
- It minimizes energy loss with its structure suitable for cold climates, insulated threshold option and 16 mm heat barrier.



SYSTEM - DOOR AND WINDOW SYSTEM

Door And Window System

You can close the living area of your winter garden with heat insulated aluminum fixed window systems and add thermal insulated aluminum doors and pop-up window systems to your desired part.

All door and window systems are integrated with winter garden systems and offer you a comfortable, stylish and spacious living area.

Provides maximum insulation and comfort with all door and window systems



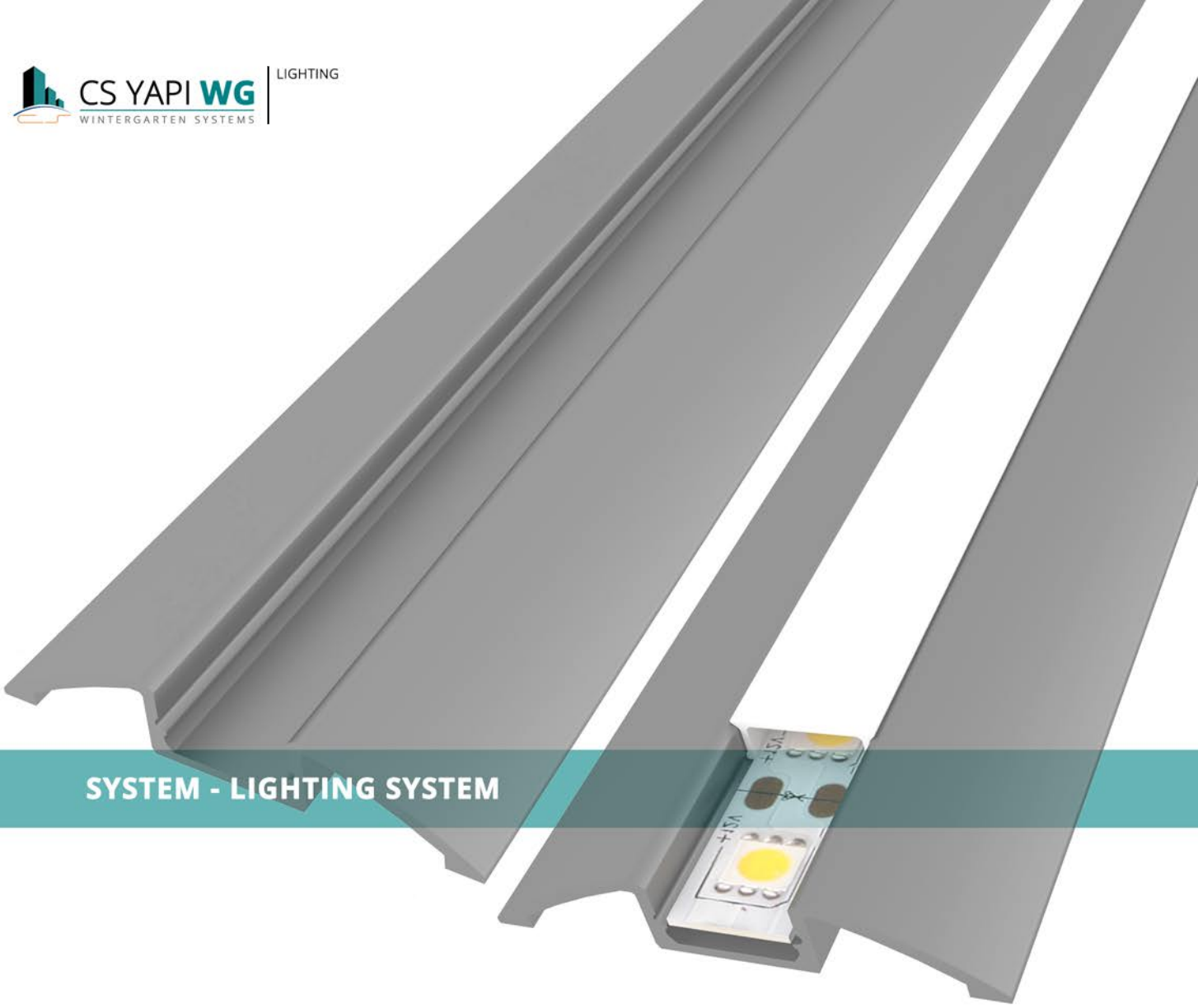
Advantages

- It allows you to close your living space in the comfort and style you want.
- Insulated door and window profiles are developed according to the Eurogroove channel structure.
- All types of accessories that are suitable for this channel structure can be used in the system.
- All safety classes can be achieved with accessories that are suitable for the Eurogroove channel structure.
- Door and window handles are available in different versions.
- Provides maximum thermal insulation.
- Provides high security with single or multiple lock options.

Features

- Insulated door and window profiles are developed according to the Eurogroove channel structure.
- As an alternative to the connection options of the middle register, screw connection and T-connection profiles are available.
- Glasdicke (min-max): 4-39 mm
- The load capacity of the wing is a maximum of 120 kg.
- The wing system allows attachment of up to 2.4 m in height and 1.6 m in width.

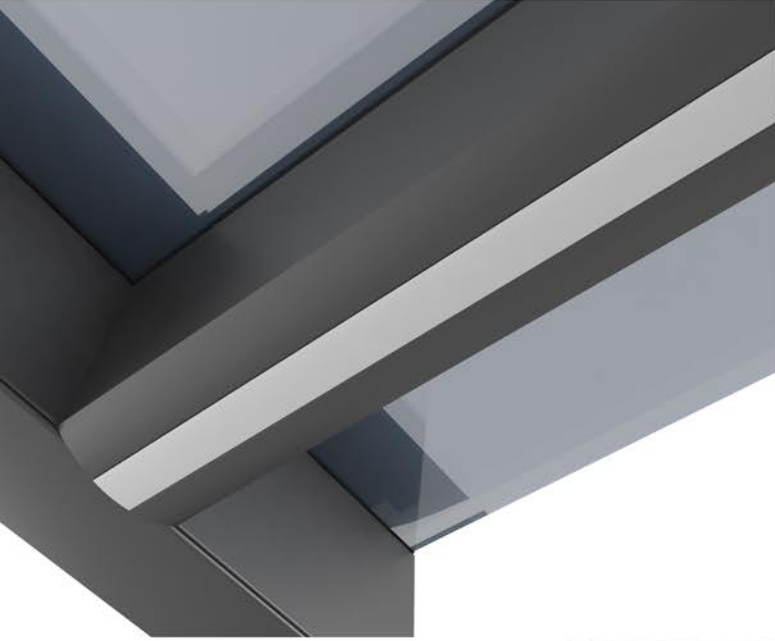




SYSTEM - LIGHTING SYSTEM

Lighting system

With its stylish, modern and integrated LED lighting system that will allow you to sit more comfortably in the evenings of your winter garden in the evenings, it oModern and stylish LED lighting system integrated into the systemffers different design lighting.
Modern and stylish LED lighting system integrated into the system



Features

- Integrated LED profile system
- Stylish and modern design compatible with the system
- Remote control system and comfortable lighting



MÜNCHEN - DEUTSCHLAND





BERLIN - DEUTSCHLAND



BERLIN - DEUTSCHLAND



BERLIN - DEUTSCHLAND



BRÜSSEL - BELGIEN



BERLIN - DEUTSCHLAND



WARSCHAU - POLEN



CS YAPI - SHOWROOM



CS YAPI WG - SHOWROOM





BERLIN - DEUTSCHLAND



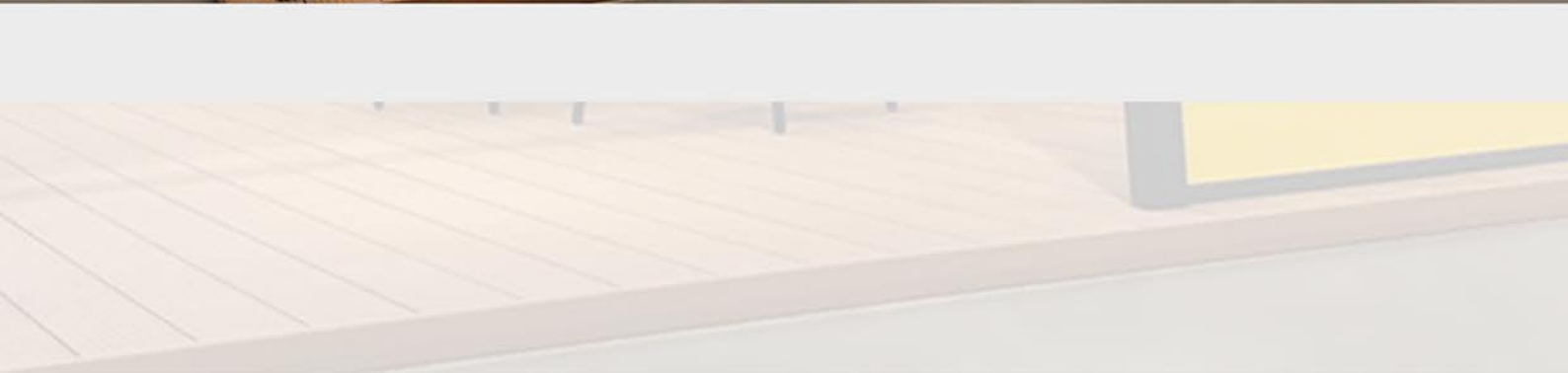
CS YAPI WG - SHOWROOM



NİŞH ADALAR - ISTANBUL



CS YAPI WG - SHOWROOM



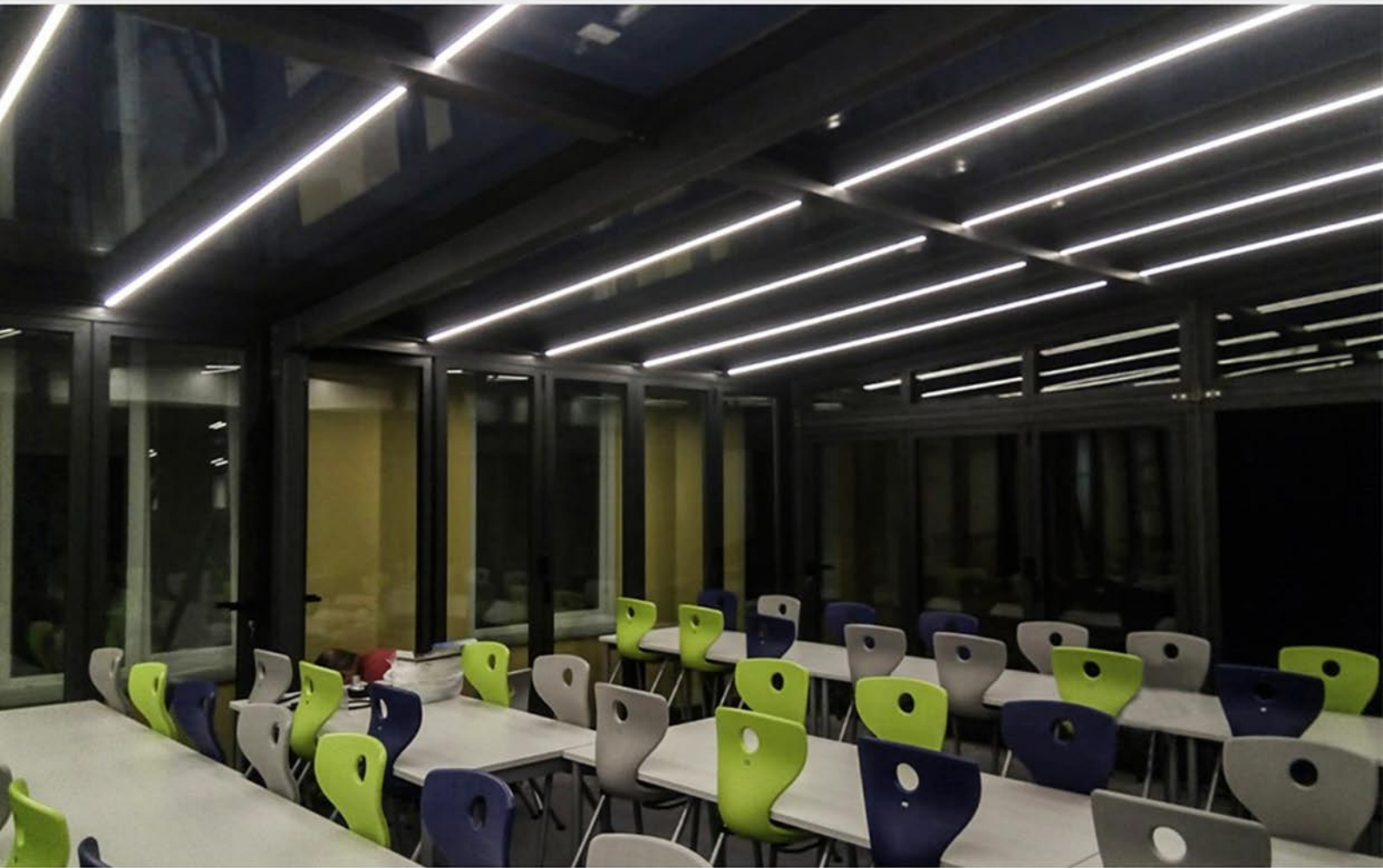
BERLIN - GERMANY



ŞEHRİZAR KONAKLARI - ISTANBUL



PRAGUE - CZECH REPUBLIC



ŞEHRİZAR KONAKLARI - ISTANBUL



ŞEHRİZAR KONAKLARI - ISTANBUL



WARSCHAU - POLEN





HOMESTAR WG - SHOWROOM



BERLIN - DEUTSCHLAND





WARSCHAU - POLEN





BERLIN - DEUTSCHLAND



MÜNCHEN - DEUTSCHLAND



PRAGUE-CZECH REPUBLIC





WARSAW-POLAND



WARSAW-POLAND





HOMESTAR WG - SHOWROOM



BERLIN-DEUTSCHLAND



CS YAPI-SHOWROOM





WARSCHAU-POLEN





Telephone

0 216 441 41 20



Instagram

@cs_cephe



Email

bilgi@csyapi.com



Adres

Zümrütevler Mah.Orkide Sok.No:9 Maltepe /İSTANBUL





Zümrütevler Mah.Orkide Sok.No:9

Maltepe /İSTANBUL

0 216 441 41 20

0 216 441 49 89

bilgi@csyapi.com

Instagram: @cs_cephe

www.csyapi.com